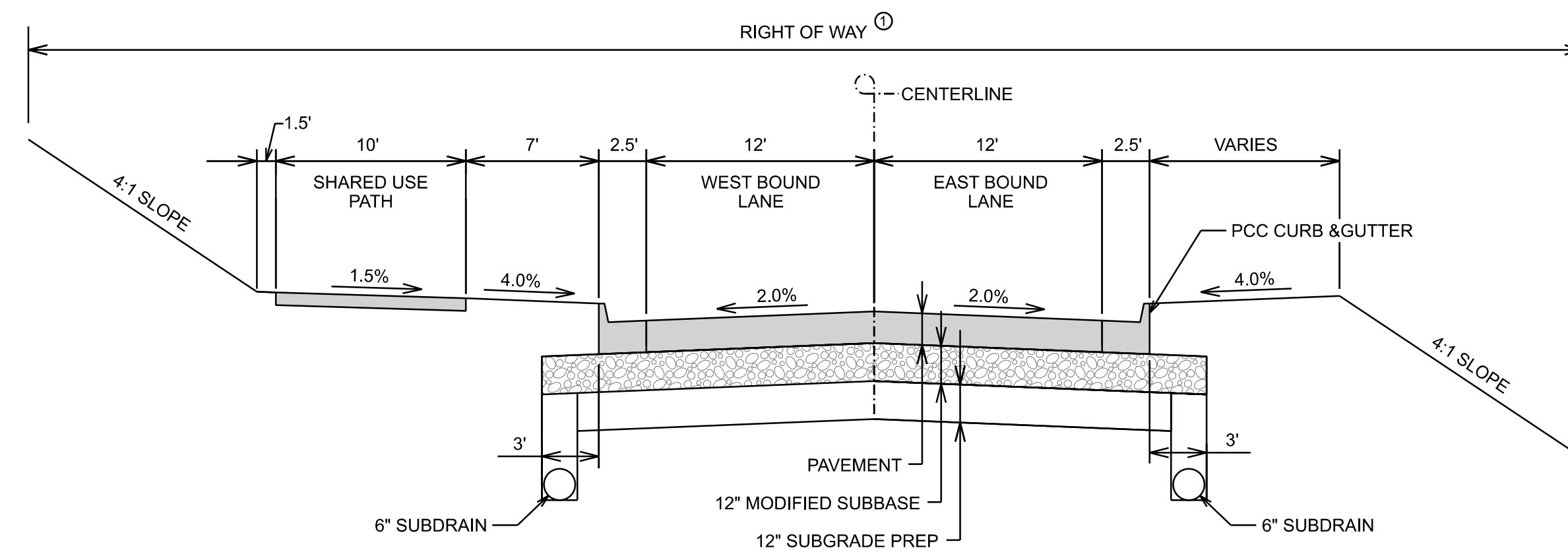
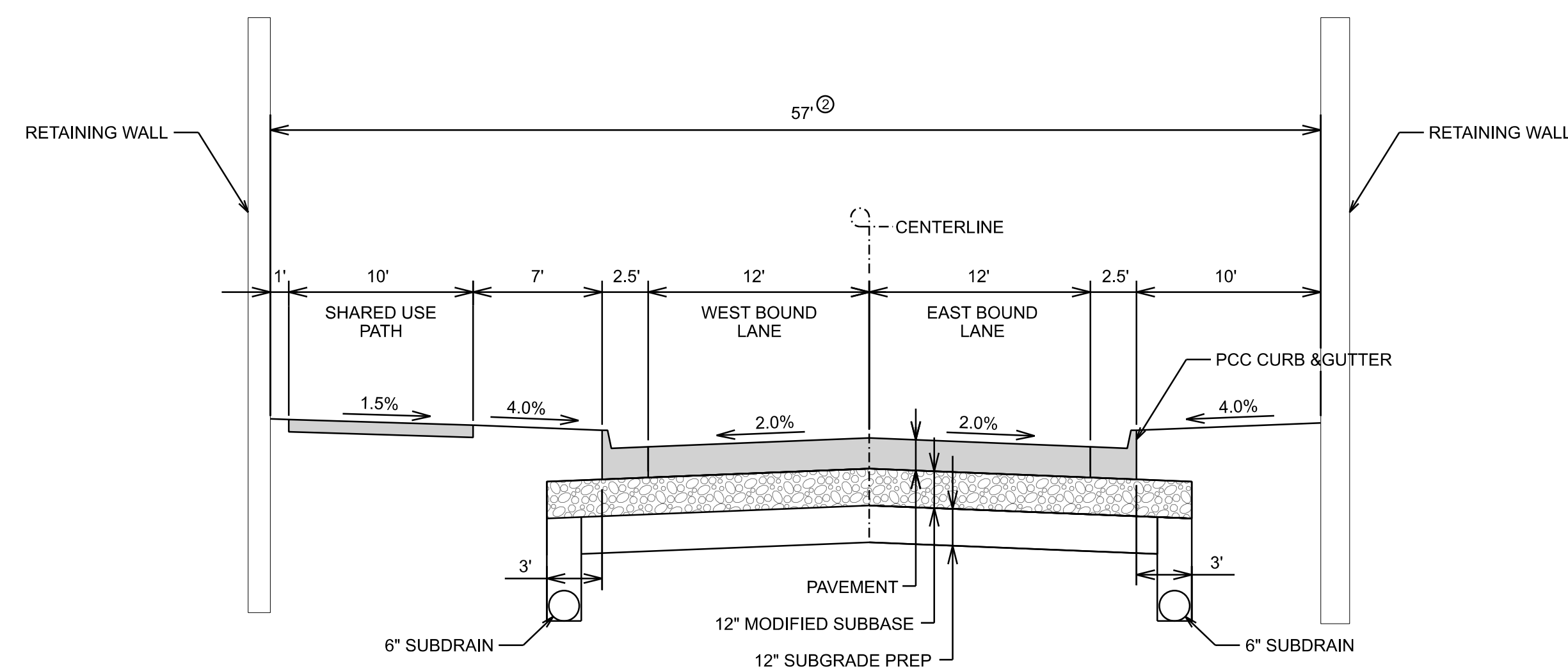


**BROADWAY AVENUE - 3 LANE SECTION**



**BROADWAY AVENUE - 2 LANE SECTION**



**BROADWAY AVENUE - UNDERPASS SECTION**

- ① RIGHT OF WAY WIDTH VARIES THROUGHOUT THE CORRIDOR. RIGHT OF WAY ACQUISITION IS REQUIRED FOR THIS PROJECT.
- ② ROADWAY WILL TRANSITION TO A 2-LANE URBAN SECTION WITHIN THE UPRR UNDERPASS, I-235 BRIDGE, AND FOURMILE CREEK TO MINIMIZE GRADING AND PROPERTY IMPACTS.